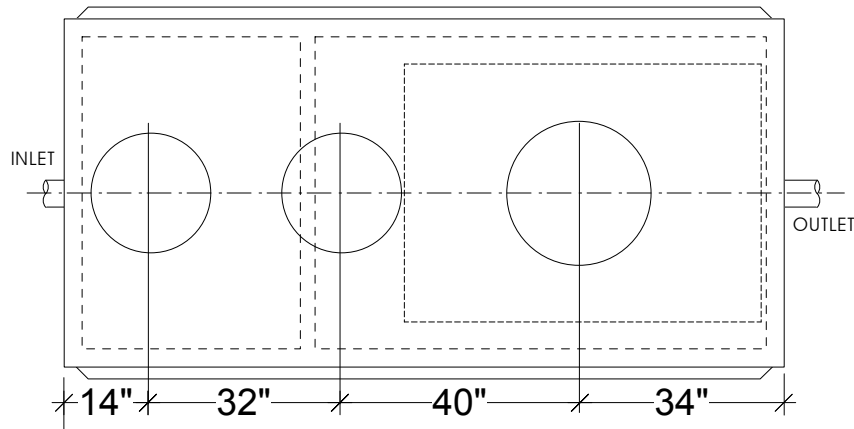
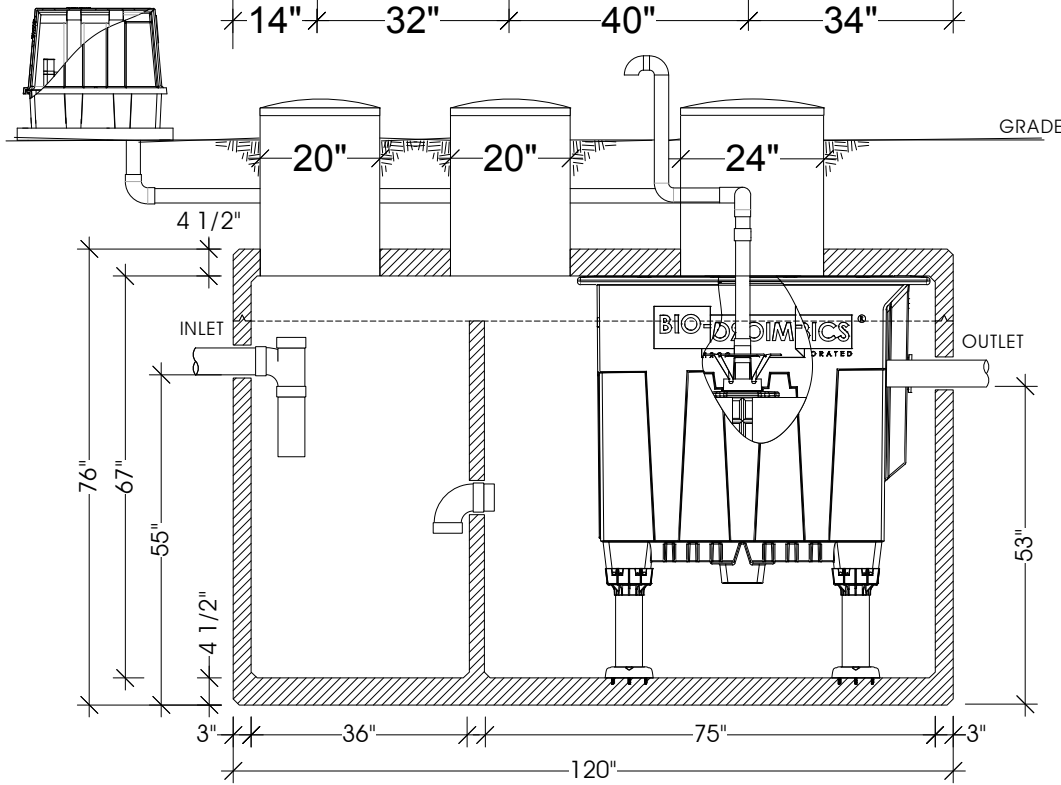


PLAN OF MicroFAST UNIT IN PYRAMID PRECAST STRUCTURE

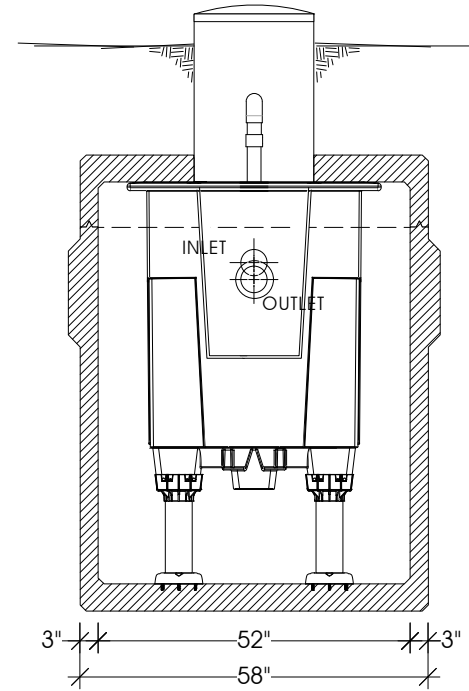


NOTES

1. MicroFast UNITS ARE INSTALLED IN-PLANT TO THE MANUFACTURERS INSTRUCTIONS AND GUIDELINES AND BY PERSONNEL INSTRUCTED BY THE MANUFACTURER
2. MicroFast 0.625 UNITS ARE LISTED BY NSF INTERNATIONAL UNDER BIO-MICROBICS
3. THIS UNIT IS RATED FOR USE IN NON-TRAFFIC AREAS
4. MINIMUM EXCAVATION SIZE: 11' LENGTH - 6' 6" WIDTH



SIDE SECTION
MicroFAST UNIT IN PYRAMID PRECAST STRUCTURE



END SECTION
MicroFAST UNIT IN PYRAMID PRECAST STRUCTURE

MicroFAST® 0.625 FAST Unit
Mounted in Pyramid Precast Unit



2438 LOCUST AVE. RIALTO, CA PH. (909) 823-4255 FAX (909) 823-8687

- * INDUSTRIAL WASTE CLARIFIERS
- * SAND AND GREASE INTERCEPTORS
- * SEPTIC TANKS & DISTRIBUTION BOXES

DRAWING #
PPMF0625 v3

DRAWN BY
SCOTT BENART

SCALE
1:32