

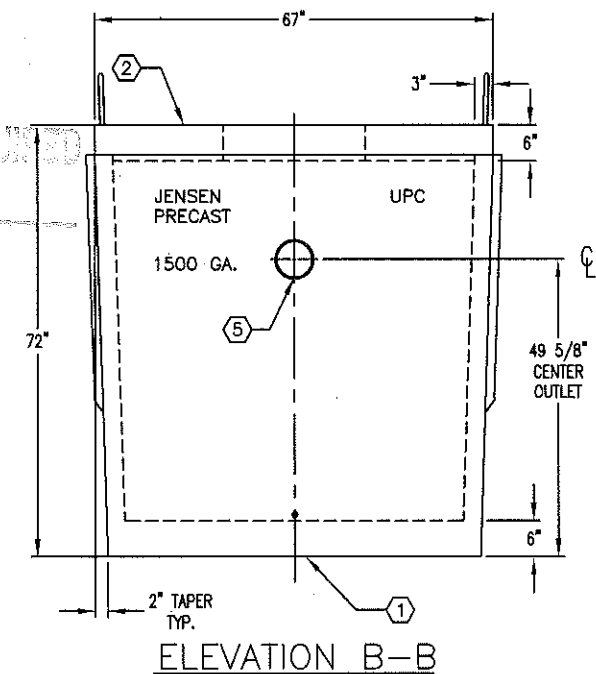
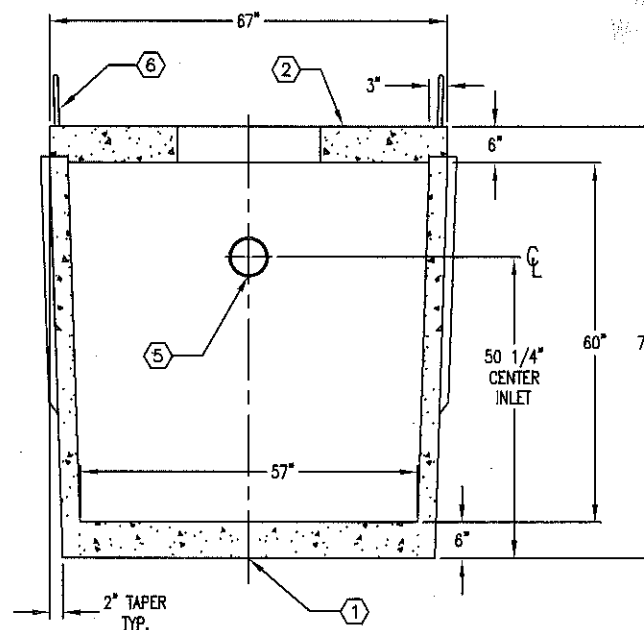
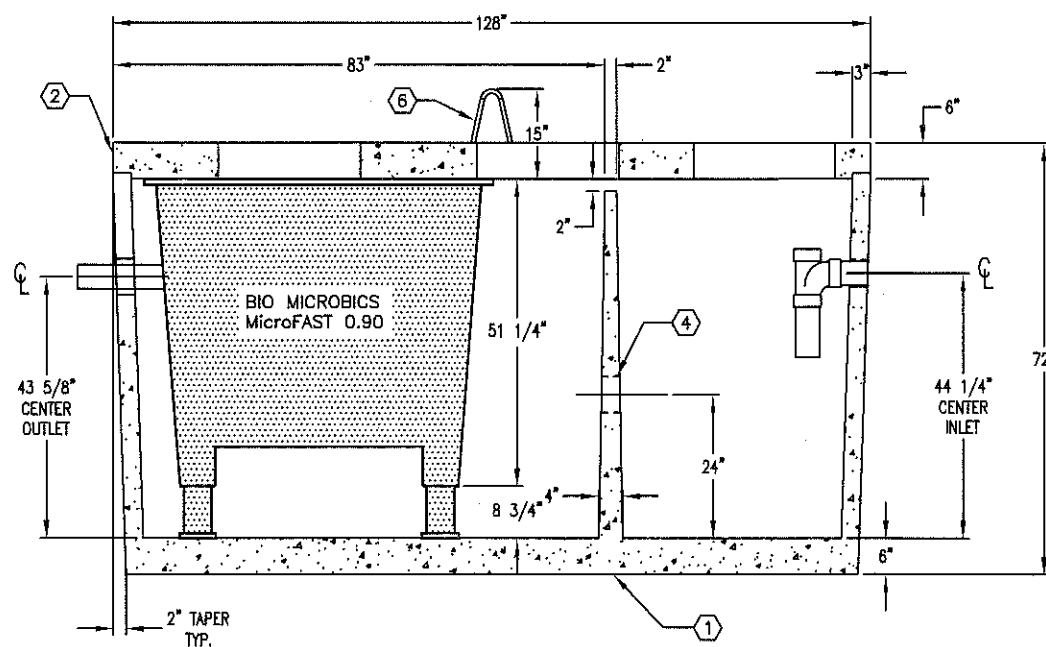
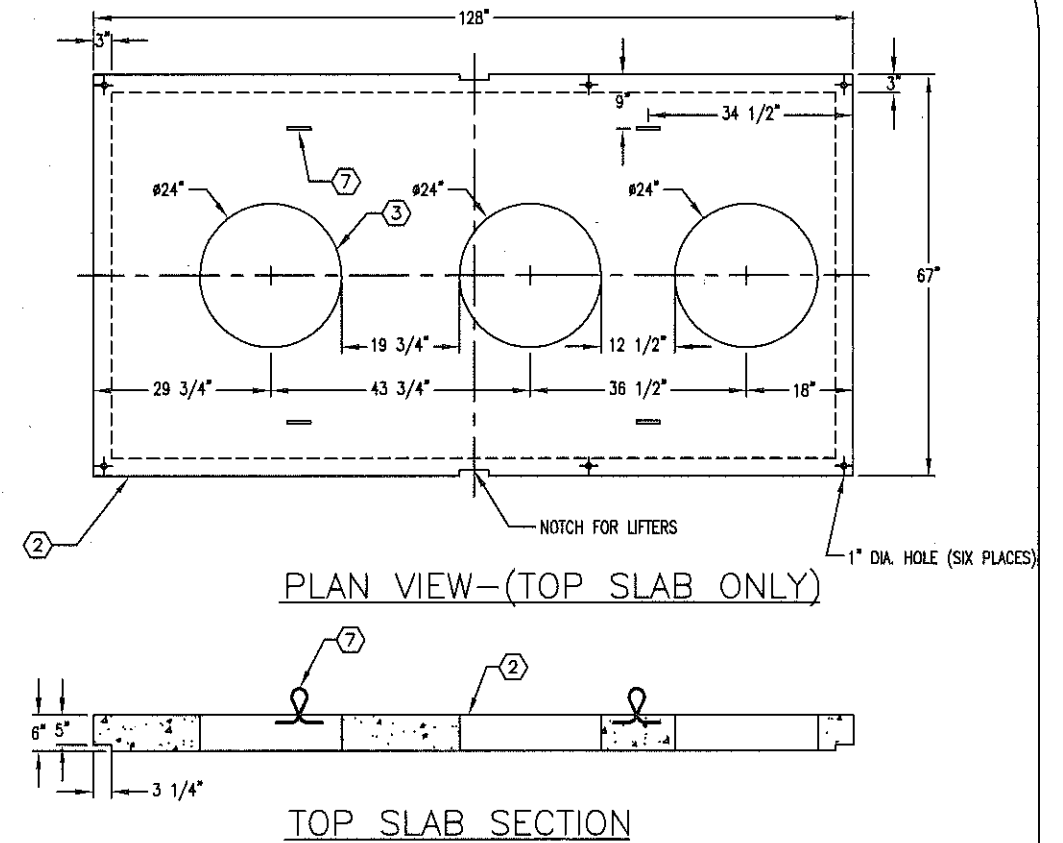
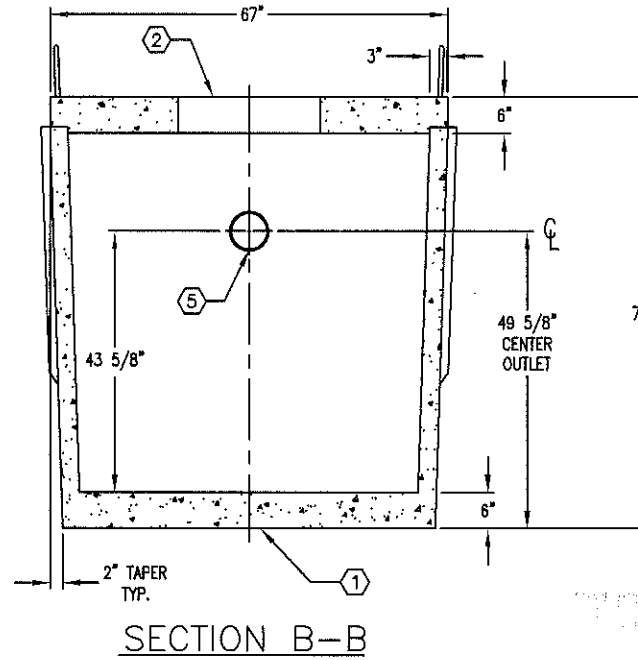
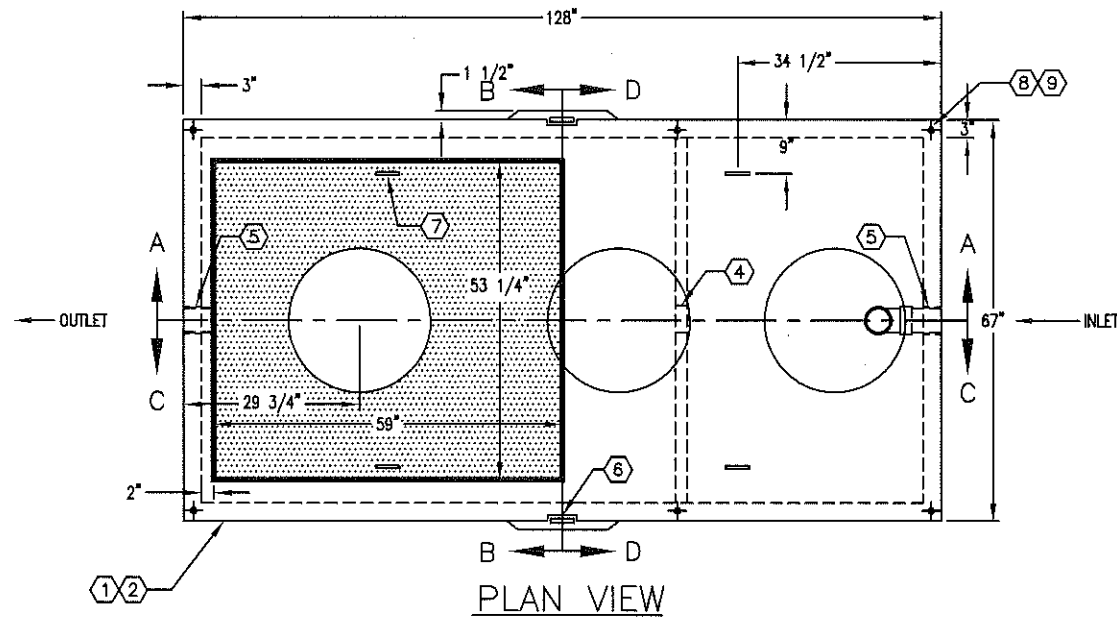
JP-1500 GALLON TREATMENT TANK

NOTES:

- DESIGNED IN ACCORDANCE WITH AASHTO H-20 TRAFFIC BRIDGE LOADING USING 5,000 PSI COMPRESSIVE STRENGTH CONCRETE AND 60,000 PSI YIELD STRENGTH GRADE 60 A-706 REINFORCEMENT AND PER CALC. #32242.
 - INTERCEPT TO BE PLACED ON A 6" BASE OF CRUSHER RUN AND ADEQUATE FOUNDATION FOR EVEN LOAD DISTRIBUTION AND EASE OF INSTALLATION.
 - 1'-0" TO 6'-0" MAXIMUM EARTH COVER.
 - LIQUID CAPACITY DOES NOT INCLUDE 9" OF AIR SPACE ABOVE FLOWLINES.
 - COVER SLAB TO BE INSTALLED WITH CONSEAL PRIOR TO SHIPPING.
 - PRODUCT TO BE MARKED "JENSEN PRECAST", "UPC", AND "1500 GA.", IMBED AS SHOWN ON INLET END WALL.
- PLUMBING KIT: AND "1500 GA.", IMBED AS SHOWN ON INLET END WALL.
PLUMBING AVAILABLE IN 4" AND 6" DIA. AS ORDERED.

MATERIALS:

- TKJP1500-S15-AM, 1500 GALLON BODY SECTION (CG-JT1500-B-197689) WT. 11,075 lbs.
- CSJP1500S15-AM, 1500 GALLON COVER SLAB (CG-CSJP1500-197689) WT. 4,000 lbs.
- 24" DIA. OPENING (3) REQ'D.
- 6" HOLE. LOCATE AS FOLLOWS: BAFFLE WALL (1) CORE MTD.
- 4"-6" CLOSED BOOT 3005CE (55-30-64). LOCATE AS FOLLOWS: BOTTOM SECTION (2) CORE MTD.
- 3/8" x 51" LIFTING CABLE (55-15-038). LOCATE AS FOLLOWS: BOTTOM SECTION (2) SURFACE MTD.
- 5/16" DIA. GALVANIZED AIRCRAFT WIRE (55-15-516) FOR LIFTING. LOCATE AS FOLLOWS: TOP SLAB (4) SURFACE MTD.
- 5/8" DIA. FERRULE LOOP INSERT. LOCATE AS FOLLOWS: BOTTOM SECTION (6) PALLET MTD.
- 5/8" x 7" BOLT WITH WASHER (6) REQ'D.



GTS
FONTANA, CA.
S.O.# S15-AM
(1) UNIT REQ'D.

JENSEN
PRECAST
AutoCAD 2005

#	DATE	DESCRIPTION	BY
J	08-31-15	REVISE OPENINGS PER CUSTOMER REQUEST	JP
H	06-22-15	REV'D. JP1500S0-197689	JS

JP1500-FAST-.9-S15-AM
07-24-00