

JS-1500 GALLON TREATMENT TANK

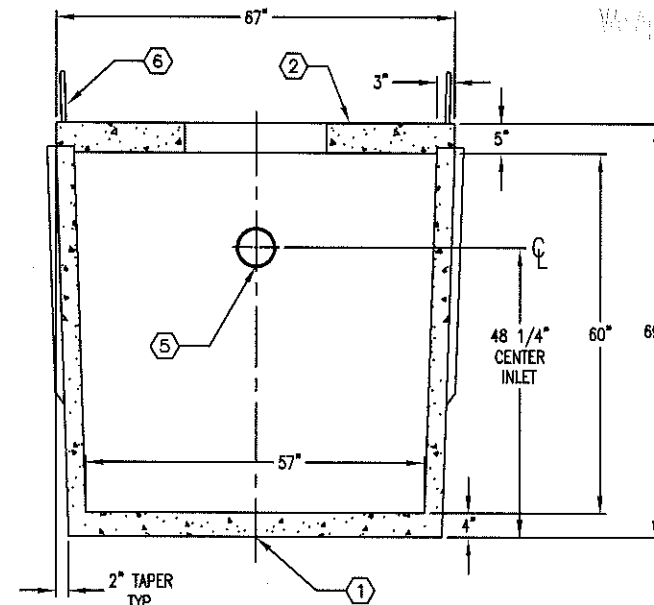
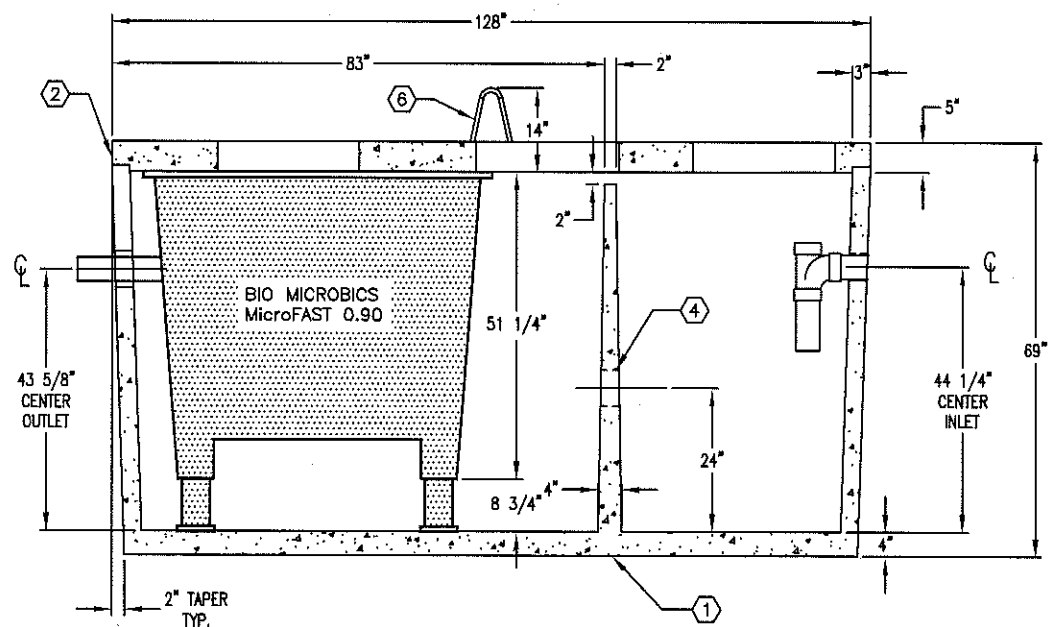
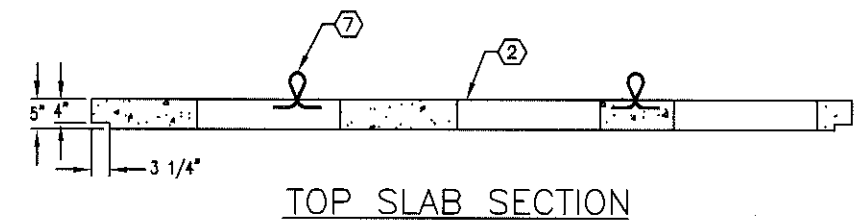
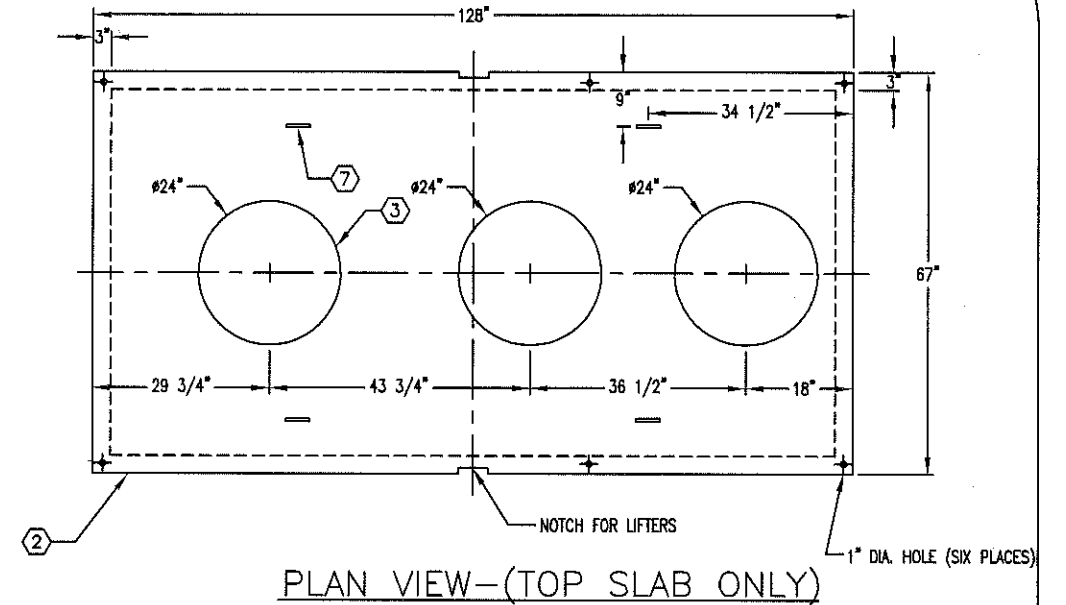
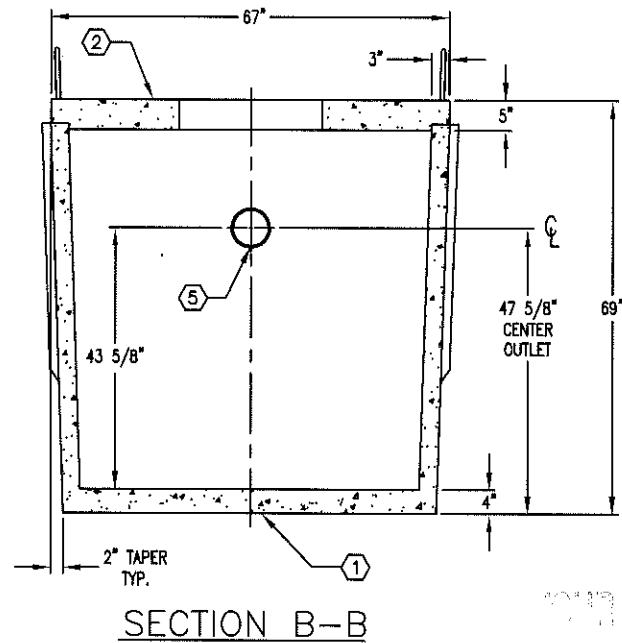
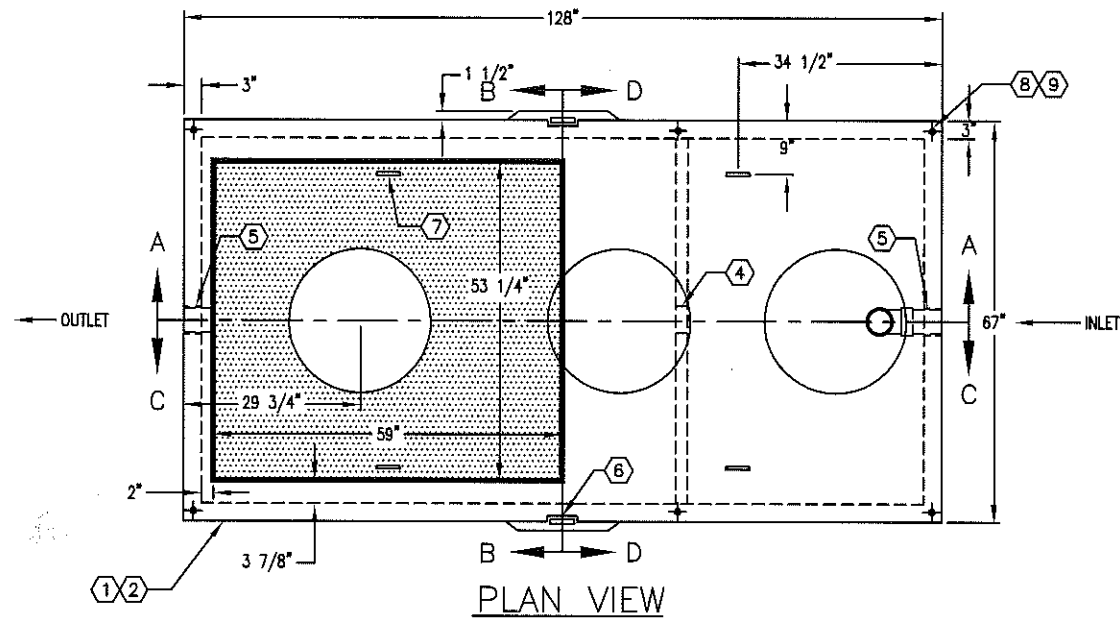
NOTES:

- DESIGNED IN ACCORDANCE WITH UPC 500 PSF NON-TRAFFIC LOADING USING 4,000 PSI COMPRESSIVE STRENGTH CONCRETE AND GRADE 60 A-706 REINFORCEMENT. CALC. #32282.
- SEPTIC TANK TO BE PLACED ON A 6" BASE OF CRUSHER RUN AND ADEQUATE FOUNDATION FOR EVEN LOAD DISTRIBUTION AND EASE OF INSTALLATION.
- 3'-0" MAXIMUM EARTH COVER, WATER LEVEL BELOW TANK.
- LIQUID CAPACITY DOES NOT INCLUDE 9" OF AIR SPACE ABOVE FLOWLINES.
- COVER SLAB TO BE INSTALLED WITH CONSEAL PRIOR TO SHIPPING.
- PRODUCT TO BE MARKED "JENSEN PRECAST", "UPC".

MATERIALS:

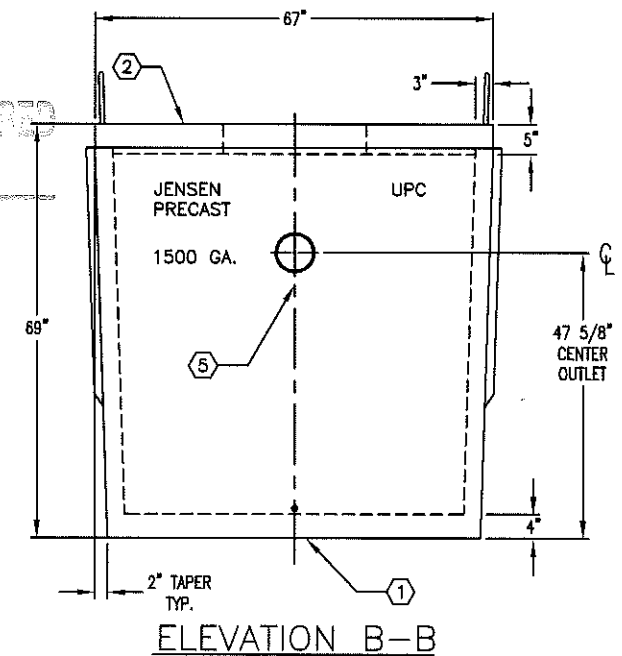
- TKJS1500-S15-AM, 1500 GALLON BODY SECTION (CG-JS1500-B-197689) WT. 9,650 lbs.
- CSJS1500S15-AM, 1500 GALLON COVER SLAB (CG-CSJS1500-197689) WT. 3,150 lbs.
- 24" DIA. OPENING (3) REQ'D.
- 6" HOLE. LOCATE AS FOLLOWS: BAFFLE WALL (1) CORE MTD.
- 4"-6" CLOSED BOOT 3005CE (55-30-64). LOCATE AS FOLLOWS: BOTTOM SECTION (2) CORE MTD.
- 3/8" x 51" LIFTING CABLE (55-15-038). LOCATE AS FOLLOWS: BOTTOM SECTION (2) SURFACE MTD.
- 5/16" DIA. GALVANIZED AIRCRAFT WIRE (55-15-516) FOR LIFTING. LOCATE AS FOLLOWS: TOP SLAB (4) SURFACE MTD.
- 5/8" DIA. FERRULE LOOP INSERT. LOCATE AS FOLLOWS: BOTTOM SECTION (6) PALLET MTD.
- 5/8" x 7" BOLT WITH WASHER (6) REQ'D.

PLUMBING KIT: AND "1500 GA.", IMBED AS SHOWN ON INLET END WALL.
PLUMBING AVAILABLE IN 4" AND 6" DIA. AS ORDERED.



YOUR SIGNATURE IS REQUIRED

PLUMBING SPECIALIST
Wally Yeng
Wallyeng@jensenprecast.com



GTS
FONTANA, CA.
S.O.# S15-AM
(1) UNIT REQ'D.



SECTION A-A
(SECTION C-C MIRRORED)

SECTION D-D
(BAFFLE NOT SHOWN FOR CLARITY)

| # | DATE | DESCRIPTION | BY |
|---|----------|---|----|
| J | 08-31-15 | REVISE OPENING, BTM SLAB & COVER SLAB PER CALC. | JP |
| H | 06-22-15 | REV'D. #P1500SO-197689 | JS |

JS1500-FAST-.9-S15-AM

07-24-00